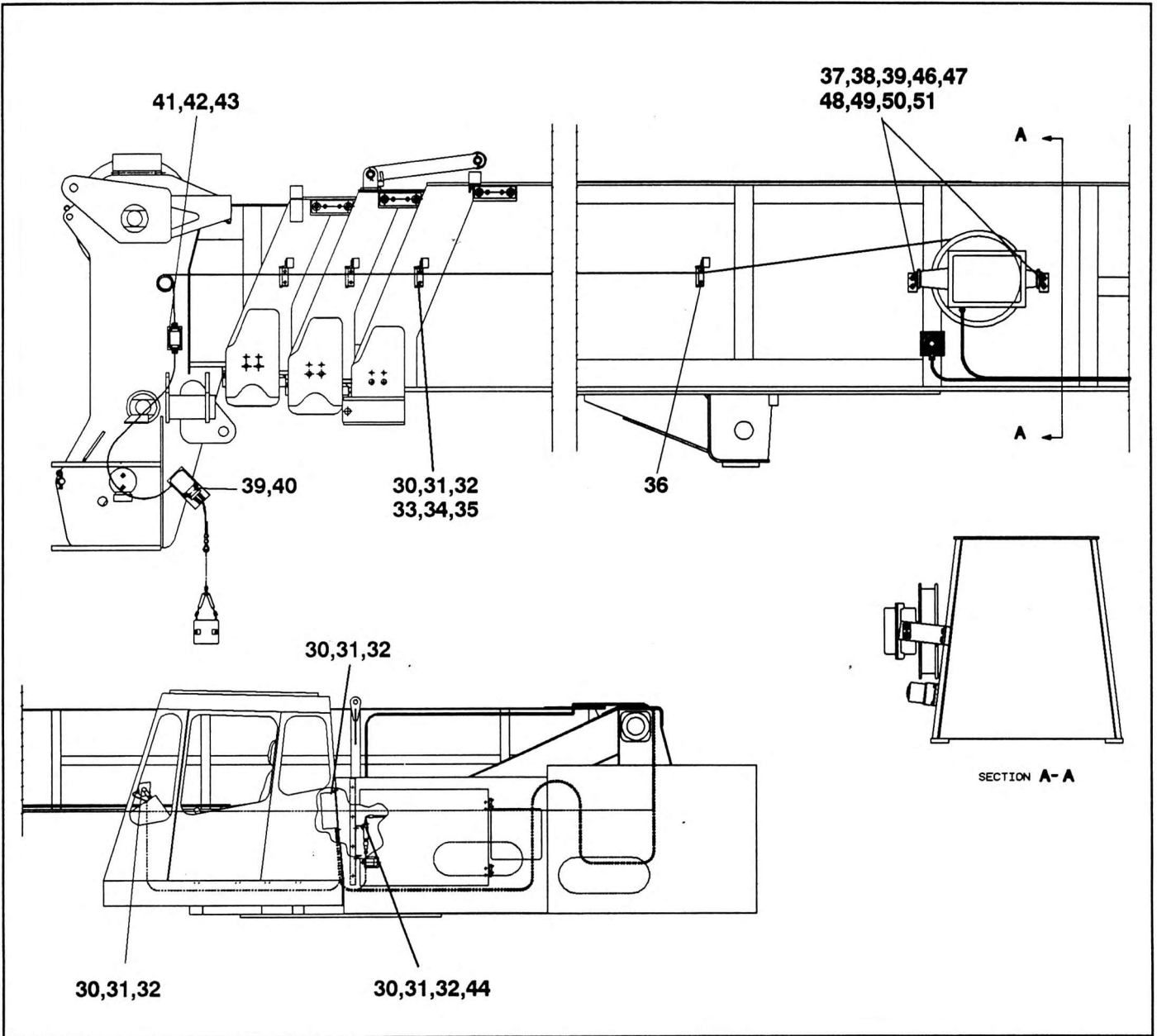


**MOUNTING ASSY PAT SLI**



NO.	PART NO	QTY.	DESCRIPTION	NO.	PART NO	QTY.	DESCRIPTION
30	7-126-151153	21	Screw M6 x 20 Lg	46\$	6-184-992623	1	Bracket Reeling Drum Mount
31	7-951-150014	23	Washer M6	47%	6-099-995007	2	Hook Bolt
32	7-951-150210	23	Spring Washer M6	47\$	6-184-992679	1	Bracket Pat Drum Mounting
33	7-661-150003	15	Nut M6	48%	6-099-995008	2	Hook Bolt
34	7-772-000212	3	Cable Roller Follower	49	7-951-190210	8	Washer Spring M10
35	6-030-991270	3-	Angle - Roller Guide	50	7-951-190014	8	Washer M10
36	6-030-991269	1	Angle - Roller Guide	51	7-661-190003	8	Hex Nut M10
37	7-126-191253	4	Screw M10 x 25mm Lg	+ See further breakdown in this group			
38	7-951-190014	4	Washer M10	% Note: These Items are only fitted to AT990 with a '4-Section Boom'. They are not required for TT865.			
39	7-951-190210	6	Washer Spring M10	\$ If 10 Core Reeling Drum is fitted see assy 6-576-990548 for Part Numbers of Brackets,			
40	7-128-191554	2	Capscrew M10 x 40				
41	7-111-100410	4	Round Head Screw				
42	7-950-100141	4	Washer 3/16"				
43	7-950-100050	4	Washer Spring 3/16"				
44	6-030-990306	1	Support Angle				
++	6-294-993015	1	Lift Cylinder Pat Piping				
46%	6-705-991821	1	Plate Reeling Drum Mounting				

**6-576-990512**  
**Issue No. 06/A**